

## INTEROFFICE MEMORANDUM

**Date:** November 16, 2005

**TO:** Bridge Division Personnel

**FROM:** <sup>Fon</sup> Phil Brand, Bridge Engineer

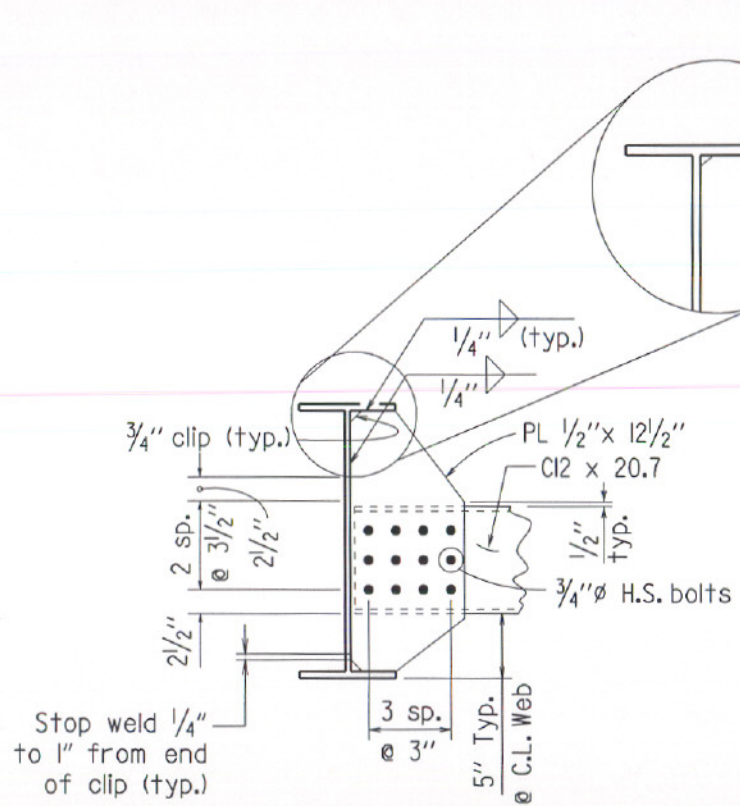
*Carl Fuslier*

**SUBJECT:** Clip Detail to Accommodate Deck Form Support  
Permanent Steel Bridge Deck Forms  
W-Beams and Plate Girders

Effective with the February 2006 letting, please include the attached clip detail in the plans for bridges that utilize W-beams and plate girders. Use the clip detail as necessary for bearing stiffeners, transverse stiffeners, and full depth connection plates. Please note that the attached detail is shown for W-beams and will be similar for plate girders.

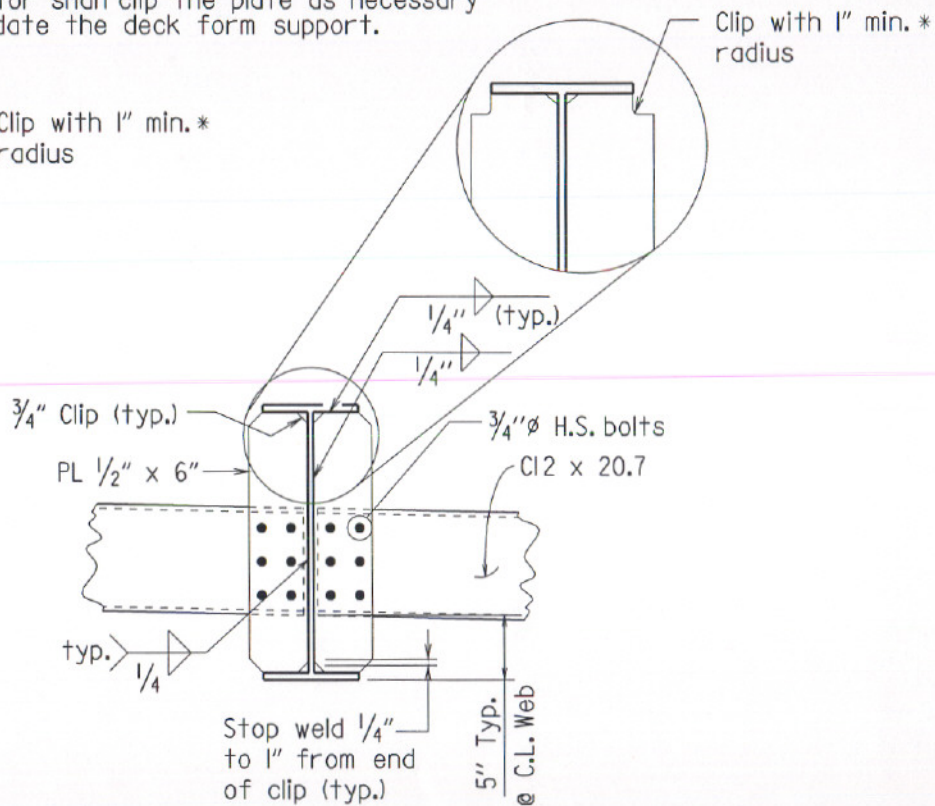
CJF  
Attachment

\* If permanent steel bridge deck forms are used, the fabricator shall clip the plate as necessary to accommodate the deck form support.



**DETAIL X**

N.T.S.



**DETAIL Y**

N.T.S.

CLIP DETAILS FOR PERMANENT STEEL DECK FORMS  
 CONNECTION PLATES FOR W-BEAMS SHOWN  
 CONNECTION PLATES AND BEARING STIFFENERS FOR  
 PLATE GIRDERS ARE SIMILAR